



COUNTER SCALES G-325 SERIES

Flat/pole format price computing scales, without printer and with RS-232 communications for PC or cash drawer connection.



INFORMATION



SEGMENTS
LCD DISPLAY



UP TO
100 PLUs



RS-232

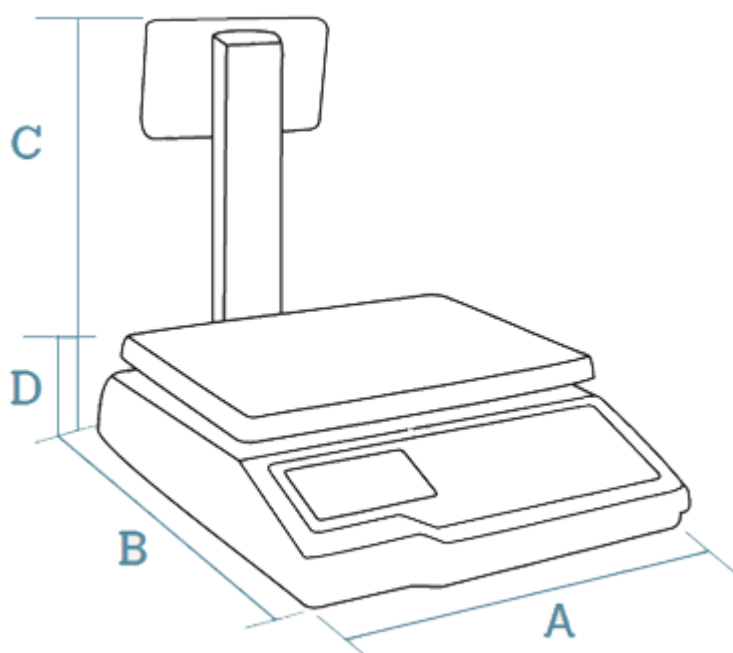


INTERNAL
RECHARGEABLE
BATTERY



METROLOGICAL
VERIFICATION
OPTIONAL (EU)

Dibal G-325 easy price computing scales without printer can be connected to PC, to send and receive data and updating, or POS/cash drawer. Speed up your business sales with this scale.



Data in mm

A 320

B 400

C 356

D 116

Plate dimensions: L305 x W235 mm

MAIN CHARACTERISTICS

- Price computing electronic scale without printer.

- **RS-232 interface: PC upgradeable firmware and communication protocols.**
- **Rechargeable internal battery:**
 - Up to 120 hours of life with completely charged battery and back lighting disconnected (approximate data).
- **Valid for legal metrology.**

FEATURES

- **EAN heading programming (according to communication protocol).**
- **Tare, fix tare and manual zero.**
- **Fix price: to operate several times with the same article.**
- **Display of price in a secondary currency.**
- **Energy saving via programmable on and off back lighting switching and automatic disconnection.**

CAPACITY / ACCURACY

- **Multirange (3,000 divisions): 6 kg / 2 g - 15 kg / 5 g.**
- **Optional:**
 - Multirange (3,000 divisions): 15 kg / 5 g - 30 kg / 10 g.

AVAILABLE FORMATS

- **Flat and pole in the same scale:**
 - An easy to set up pole is included.

CONSTRUCTION

- **Structure:**
 - ABS plastic casing.
- **Displays:**
 - 5 digits backlit LCD segments display in vendor and buyer side.
 - Shows weight, price/kg and total.
- **Keypad with 32 keys.**
- **Stainless steel flat plate.**

COMMUNICATION TO PC / POS / ECR

- **RS-232 interface.**
- **Communication protocols available for the main POS and ECR in the market.**
- **Multi-protocol models: communication protocol is selected in the scale (40 protocols available).**
More protocols can be added from PC by telecharge (maximum: 60 protocols more).

POWER SUPPLY

- **Mains: 220 VAC with AC/DC 12 V / 500 mA adapter.**
- **6 VDC / 4.5 Ah rechargeable internal battery available (in G-325 B F/P model) and connection to external battery.**

MODELS

G-325 F/P

Ref.: 70321S00NE_ _

- **Displays:** LCD segments.
- **PLUs:** 100.
- **Direct PLUs:** 9x2.
- **Communication protocols:** Up to 100.
- **Power:** Mains.
- **Capacity / Accuracy:** 6 kg / 2 g - 15 kg / 5 g.

G-325 B F/P

Ref.: 70321S02NE_ _

- **Displays:** LCD segments.
- **PLUs:** 100.
- **PLUs directos:** 9x2.
- **Communication protocols:** Up to 100.
- **Power:** Mains / battery.
- **Capacity / Accuracy:** 6 kg / 2 g - 15 kg / 5 g.

OPTIONS

OPTION	CHARACTERISTICS	REF.
Capacity 15 kg / 5 g - 30 kg / 10 g	Multirange (3,000 divisions).	...F_ _ (*)
Metrological verification (M)	According to EU weighing directives. (See section on equipment metrological verification).	Contact us

(*) The scale references with this capacity are obtained by replacing the last characters of the reference for the standard scale with the indicated ending.

ACCESSORIES



ITALIAN PLATE

L357 x W235 x H55 mm.

The Italian plate is placed on the flat plate. A new weight adjustment might be necessary.



Astintze, 26
48160 Derio (Vizcaya) Spain
T. (+34) 94 452 15 10
E. dibal@dibal.com